

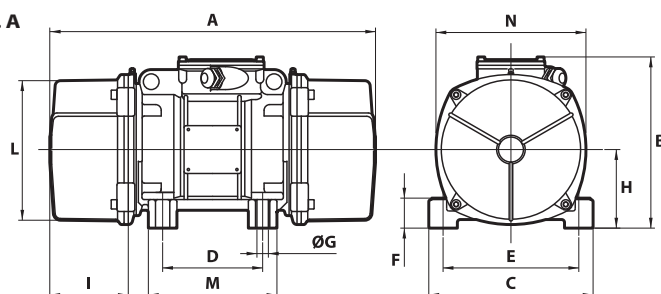
ITV-UR/ITVAF



CESI KĚ



Fig. A



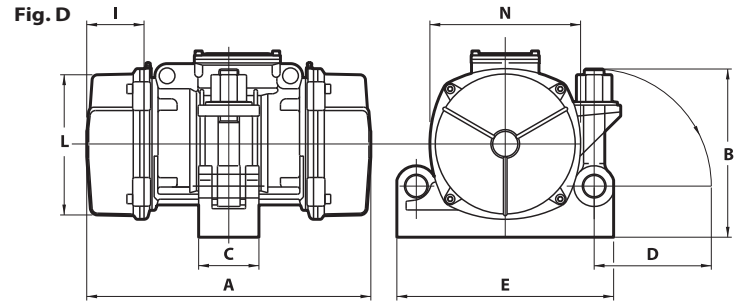
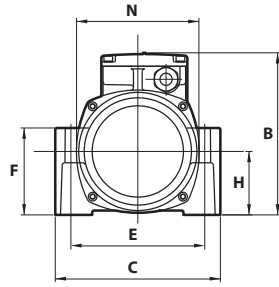
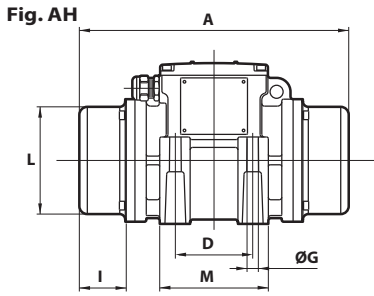
	Description				Mechanical specifications				Electrical specifications			
	Code	Type	SIZE	SF*	Plage vibrat. (vibr./mn.)	Centrifugal force		Weight	Max input power W	Max. current A 100 Hz		I _a /I _N
						kg	kN	kg		42V	400V	
ITV-UR fixed connection	600500	ITV-VR/1210-S08	AF33	•	0÷6000	1569	15.4	24	1200	21	2.3	4.48
	600507	ITV-VR/2010-S08	AF33	•	0÷6000	2000	19.6	27	1700	27	2.9	5.00
	600248	ITV-VR/2510	AF50	-	0÷6000	2500	24.5	41	2200	35	3.9	6.15
	600249	ITV-VR/2510-V *	AF50	-	4500÷6000	2500	24.5	41	2200	35	3.9	6.15
	600208	ITV-VR/3300 *	AF68	-	4500÷6000	3300	32.3	74	4000	-	7.2	5.10
	600514	ITV-VR/5000-S02	AF70	-	0÷4300	5300	52.0	105	5000	-	8.0	5.30
ITV-UR RS cradle connection	600508	ITV-VR/1210-RS-S08	AF33	•	0÷6000	1569	15.4	21	1200	21	2.3	4.48
	600509	ITV-VR/2010-RS-S08	AF33	•	0÷6000	2000	19.6	24	1700	27	2.9	5.00

* Special ventilated type for heavy service.

	Description				Mechanical specifications				Electrical specifications						
	Code	Type	SIZE	SF*	Plage vibrat. (vibr./mn.)	Centrifugal force		Weight	Max input power W	Max. current A 200 Hz		150 Hz	100 Hz	I _a /I _N	
						kg	kN	kg		42 V	250 V	42 V	250 V	250 V	
ITVAF fixed connection	603050	ITVAF 6/600-S02	AF10	-	6000	610	5.98	8.0	500	9.5	1.6	-	-	1.6	4.50
	603044	ITVAF 6/1000-S02-BSH	AF30	-	6000	1022	9.70	18	1000	20	3.3	-	-	3.7	6.06
	603043	ITVAF 6/1200-S02-BSH	AF30	-	6000	1200	11.3	18	1000	20	3.3	-	-	3.7	6.06
	603053	ITVAF 6/1220-S08	AF33	-	6000	1095	10.7	23	1200	23	3.85	-	-	3.9	6.04
	603054	ITVAF 6/1510-S08	AF33	-	6000	1484	14.6	25	1700	29	4.9	-	-	4.8	7.10
	603037	ITVAF 6/2010-S90 °	AF50	-	6000	1978	19.4	40	2000	35	5.9	-	-	5.9	8.00
	603010	ITVAF 6/3300 °	AF68	-	6000	2800	27.5	74	4000	-	-	-	-	11	5.10
	604041	ITVAF 9/1110-S08	AF33	-	9000	1230	12	22	1150	-	-	18	-	-	8.52
	604042	ITVAF 9/1510-S08	AF33	-	9000	1484	14.6	24	1600	-	-	24	4.0	-	10.4
	ITVAF RS cradle connection	603049	ITVAF 6/600-RS1-S02	AF10	-	6000	610	5.98	8.0	500	9.5	1.6	-	-	1.6
603047		ITVAF 6/1000-RS-S02-BSH	AF30	-	6000	1022	9.70	18	1000	20	3.3	-	-	3.7	6.06
603048		ITVAF 6/1200-RS-S02-BSH	AF30	-	6000	1200	11.3	18	1000	20	3.3	-	-	3.7	6.06
603055		ITVAF 6/1220-RS-S08	AF33	-	6000	1095	10.7	21	1200	23	3.85	-	-	3.9	6.04
603056		ITVAF 6/1510-RS-S08	AF33	-	6000	1484	14.6	23	1700	29	4.9	-	-	4.8	7.10
604043		ITVAF 9/1110-RS-S08	AF33	-	9000	1230	12	20	1150	-	-	18	-	-	8.52
604044		ITVAF 9/1510-RS-S08	AF33	-	9000	1484	14.6	22	1600	-	-	24	4.0	-	10.4

° Only supplied at 250V-100Hz, ventilated type, IP44 protection.

I_a/I_N = ratio between start-up current and maximum current.



Type	Dimensional specifications (mm)													
	Fig.	A	B	C	D	E	Holes		F	H	I	L	M	N
							øG	N°						
ITV-VR/1210-S08	A	289	216.5	215	100	180	17	4	47	93.5	63	170	145	182
ITV-VR/2010-S08	A	375	216.5	215	100	180	17	4	47	93.5	106	170	145	182
ITV-VR/2510	A	430	230	230	140	190	17	4	49	104	87.5	186	180	200
ITV-VR/2510-V *	A	465	230	230	140	190	17	4	49	104	105	240	180	248
ITV-VR/3300 *	A	528	267	310	155	255	23.5	4	122	115	147	265	215	275
ITV-VR/5000-S02	A	560	290	310	155	255	25	4	90	130	137	238	210	250
ITV-VR/1210-RS-S08	D	289	189	83	140	240	-	-	-	-	63	170	-	182
ITV-VR/2010-RS-S08	D	375	189	83	140	240	-	-	-	-	106	170	-	182

Type	Dimensional specifications (mm)													
	Fig.	A	B	C	D	E	Holes		F	H	I	L	M	N
							øG	N°						
ITVAF 6/600-S02	A	255	179	152	90	125	13	4	28	73	54	124	128	141
ITVAF 6/1000-S02-BSH	AH	310	186	190	90	154	13	4	100	73	54	124	125	141
ITVAF 6/1200-S02-BSH	AH	310	186	190	90	154	13	4	100	73	54	124	125	141
ITVAF 6/1220-S08	A	289	216.5	215	100	180	17	4	47	93.5	63	170	145	182
ITVAF 6/1510-S08	A	375	216.5	215	100	180	17	4	47	93.5	106	170	145	182
ITVAF 6/2010-S90 °	A	430	230	230	140	190	17	4	49	104	87.5	186	180	200
ITVAF 6/3300 °	A	528	267	310	155	255	23.5	4	122	115	147	265	215	275
ITVAF 9/1110-S08	A	289	216.5	215	100	180	17	4	47	93.5	63	170	145	182
ITVAF 9/1510-S08	A	375	216.5	215	100	180	17	4	47	93.5	106	170	145	182
ITVAF 6/600-RS1-S02	D	255	140	97	97	180	-	-	-	-	54	124	-	141
ITVAF 6/1000-RS-S02-BSH	D	310	189	83	140	240	-	-	-	-	54	124	-	141
ITVAF 6/1200-RS-S02-BSH	D	310	189	83	140	240	-	-	-	-	54	124	-	141
ITVAF 6/1220-RS-S08	D	289	189	83	140	240	-	-	-	-	63	170	-	182
ITVAF 6/1510-RS-S08	D	375	189	83	140	240	-	-	-	-	106	170	-	182
ITVAF 9/1110-RS-S08	D	289	189	83	140	240	-	-	-	-	63	170	-	182
ITVAF 9/1510-RS-S08	D	375	189	83	140	240	-	-	-	-	106	170	-	182