



2 poles - 3.000/3.600 rpm

Three-phase

DESCRIPTION			MECHANICAL SPECIFICATIONS												ELECTRICAL SPECIFICATIONS								
Code	Type	SIZE	Certifications					Static moment* kgmm		Centrifugal force kg				Weight kg		Max input power W		Power rating W		Max. current A		Ia/In	
			●	○	●	●	●	50Hz	60Hz	50Hz	60Hz	50Hz	60Hz	50Hz	60Hz	50Hz	60Hz	50Hz	60Hz	400V 50Hz	460V 60Hz	50Hz	60Hz
600384	CDX 3/300-G/D	10	●					30,0	22,5	302	326	2,96	3,20	11,5	11,0	260	270	180	190	0,60	0,50	3,47	4,20
600385	CDX 3/500-G/D	20	●					58,0	34,8	584	504	5,72	4,94	17,0	16,0	450	500	330	390	0,80	0,75	4,21	4,80
600387	CDX 3/800-G/D	30	●					74,5	55,9	750	810	7,35	7,94	23,3	22,4	650	685	500	520	1,10	1,00	3,83	6,00
600389	CDX 3/1100-G/D	35	●	●	●	●	●	110	73,0	1105	1061	10,8	10,4	34,0	33,0	600	710	480	550	0,90	0,93	4,78	4,96
600437	CDX 3/1500-G/D	50	●	●	●	●	●	161	111	1625	1602	15,9	17,7	53,9	51,4	1000	1200	850	925	1,62	1,72	6,00	6,32
600317	CDX 3/2100-G/D	50	●	●	●	●	●	209	144	2114	2080	20,7	20,4	59,8	58,5	1000	1260	900	1095	1,71	1,85	6,95	7,19
600320	CDX 3/2300-G/D	60	●	●	●	●	●	222	159	2236	2300	21,9	22,5	82,5	79,5	2000	2200	1500	1606	3,23	3,20	7,47	8,60
600323	CDX 3/3200-G/D	70	●	●	●	●	●	344	215	3457	3112	33,9	30,5	114	110	3100	3250	2570	2570	5,23	5,00	6,37	8,00
600486	CDX 3/4700-G/D	80	●	●	●	●	●	469	329	4710	4760	46,2	46,7	149	144	4500	4500	3680	3680	7,13	6,60	6,53	7,00

Single-phase

Code	Type	SIZE	Certifications					Static moment* kgmm		Centrifugal force kg				Weight kg		Max input power W		Power rating W		Max. current A		Ia/In	
			●	○	●	●	●	50Hz	60Hz	50Hz	60Hz	50Hz	60Hz	50Hz	60Hz	50Hz	60Hz	400V 50Hz	460V 60Hz	50Hz	60Hz		
600384	CDX 3/300-G/D	10	●					30,0	22,5	302	326	2,96	3,20	11,5	11,0	280	280	180	200	1,25	2,40	2,48	3,52
600385	CDX 3/500-G/D	20	●					58,0	34,8	584	504	5,72	4,94	17,0	16,0	500	500	340	350	2,30	4,50	3,35	4,22
600387	CDX 3/800-G/D	30	●					74,5	55,9	750	810	7,35	7,94	23,3	22,4	700	750	450	500	3,25	7,00	4,00	4,14

4 poles - 1.500/1.800 rpm

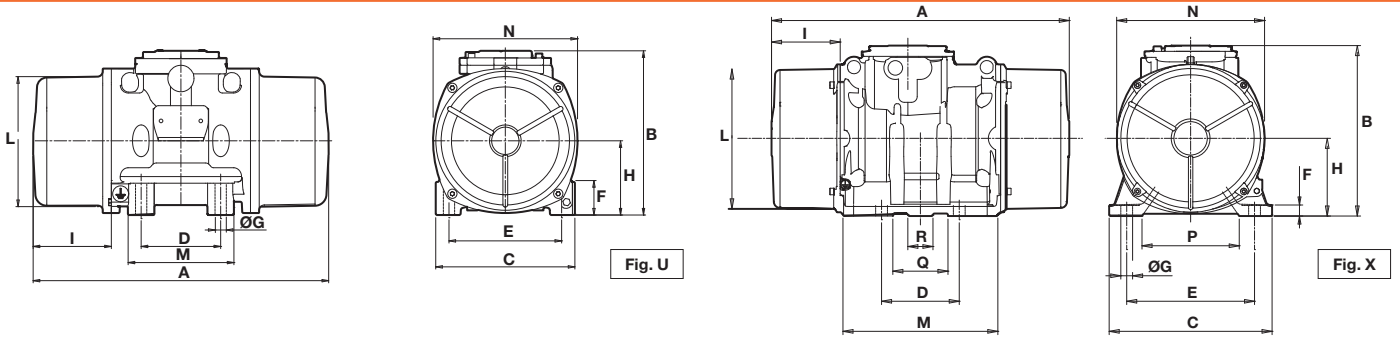
Three-phase

DESCRIPTION			MECHANICAL SPECIFICATIONS												ELECTRICAL SPECIFICATIONS								
Code	Type	SIZE	Certifications					Static moment* kgmm		Centrifugal force kg				Weight kg		Max input power W		Power rating W		Max. current A		Ia/In	
			●	○	●	●	●	50Hz	60Hz	50Hz	60Hz	50Hz	60Hz	50Hz	60Hz	50Hz	60Hz	50Hz	60Hz	400V 50Hz	460V 60Hz	50Hz	60Hz
601409	CDX 15/200-G/D	10	●					84,2	58,8	213	214	2,09	2,10	14,0	13,0	170	170	95	95	0,41	0,40	2,34	2,75
601410	CDX 15/400-G/D	20	●					163	113	412	411	4,04	4,03	21,4	20,0	300	350	215	275	0,60	0,60	3,33	3,50
601411	CDX 15/550-G/D	20	●					219	163	552	592	5,42	5,81	22,8	21,4	300	350	215	275	0,60	0,60	3,33	3,50
601412	CDX 15/700-G/D	30	●					286	209	720	760	7,06	7,46	30,3	29,0	525	665	380	490	0,92	0,98	3,48	3,43
601413	CDX 15/1100-G/D	35	●	●	●	●	●	415	271	1045	982	10,3	9,63	46,0	41,5	520	660	369	442	0,81	0,88	4,65	4,84
601424	CDX 15/1410-G/D	50	●	●	●	●	●	561	400	1413	1449	13,9	14,2	63,4	58,8	750	1000	548	740	1,35	1,50	5,59	5,60
601328	CDX 15/1710-G/D	50	●	●	●	●	●	715	485	1798	1757	17,6	17,2	67,8	65,3	1050	1300	882	1105	1,81	1,90	5,09	5,46
601358	CDX 15/2000-G/D	50	●	●	●	●	●	817	561	2054	2033	20,1	19,9	72,8	66,8	1050	1300	882	1105	1,81	1,90	5,09	5,46
601329	CDX 15/2410-G/D	60	●	●	●	●	●	962	674	2420	2444	23,7	24,0	98,0	92,0	1500	1650	1305	1485	2,95	2,90	7,80	7,76
601330	CDX 15/3810-G/D	70	●	●	●	●	●	1526	1034	3840	3744	37,7	36,7	139	134	2270	2250	1839	1845	3,80	3,50	6,84	8,09
601487	CDX 15/5010-G/D	80	●	●	●	●	●	1990	1364	5007	4941	49,1	48,5	172	165	2800	2800	2100	2100	4,75	4,40	6,74	7,20

Single-phase

Code	Type	SIZE	Certifications					Static moment* kgmm		Centrifugal force kg				Weight kg		Max input power W		Power rating W		Max. current A		Ia/In	
			●	○	●	●	●	50Hz	60Hz	50Hz	60Hz	50Hz	60Hz	50Hz	60Hz	50Hz	60Hz	400V 50Hz	460V 60Hz	50Hz	60Hz		
601409	CDX 15/200-G/D	10	●					84,2	58,8	213	214	2,09	2,10	14,0	13,0	210	230	110	120	1,00	2,00	1,50	1,85
601410	CDX 15/400-G/D	20	●					163	113	412	411	4,04	4,03	21,4	20,0	240	320	120	180	1,20	2,80	2,50	2,50
601401	CDX 15/550-G/D	20	●					219	163	552	592	5,42	5,81	22,8	21,4	240	320	120	180	1,20	2,80	2,50	2,50
601412	CDX 15/700-G/D	30	●					286	209	720	760	7,06	7,46	30,3	29,0	450	550	240	300	2,15	5,15	5,44	3,63

* Working moment = 2 x static moment.



DIMENSIONAL SPECIFICATIONS (mm)

Type	Fig.	A	B	C	D	E	Holes		F	H	I	L	M	N	P	Q	R	Capacitor (µF)		Cable entry
							ØG	N°										220V 50Hz	115V 60Hz	
CDX 3/300-G/D	U	255	191	152	90	125	13	4	28	77,5	54	130	128	150	-	-	-	-	-	NPT 1/2"
CDX 3/500-G/D	U	288	218	167	105	140	13	4	30	90	65	150	140	175	-	-	-	-	-	NPT 1/2"
CDX 3/800-G/D	U	314	231	205	120	170	17	4	45	102	66	177	162	200	-	-	-	-	-	NPT 1/2"
CDX 3/1100-G/D	U	446	249	210	120	170	17	4	52	112	118	192	160	218	-	-	-	-	-	NPT 3/4"
CDX 3/1500-G/D	X	520	279	235	140	190	22	4	18	116	134	210	246	225	140	80	-	-	-	NPT 3/4"
CDX 3/2100-G/D	X	520	279	235	140	190	22	4	18	116	134	210	246	225	140	80	-	-	-	NPT 3/4"
CDX 3/2300-G/D	X	572	312	275	155	225	22	4	22	135	146	239	274	253	169	105	50	-	-	NPT 3/4"
CDX 3/3200-G/D	X	594	343	325	155	255	23,5	4	22	155	137	279	314	295	194	110	50	-	-	NPT 3/4"
CDX 3/4700-G/D	X	638	359	355	180	280	26	4	22	165	154	303	320	320	198	120	50	-	-	NPT 3/4"

Type	Fig.	A	B	C	D	E	Holes		F	H	I	L	M	N	P	Q	R	Capacitor (µF)		Cable entry
							ØG	N°										220V 50Hz	115V 60Hz	
CDX 3/300-G/D	U	255	191	152	90	125	13	4	28	77,5	54	130	128	50	-	-	-	16	25	NPT 1/2"
CDX 3/500-G/D	U	288	218	167	105	140	13	4	30	90	65	150	140	175	-	-	-	12,5	50	NPT 1/2"
CDX 3/800-G/D	U	314	231	205	120	170	17	4	45	102	66	177	162	200	-	-	-	25	90	NPT 1/2"

DIMENSIONAL SPECIFICATIONS (mm)

Type	Fig.	A	B	C	D	E	Holes		F	H	I	L	M	N	P	Q	R	Capacitor (µF)		Cable entry
							ØG	N°										220V 50Hz	115V 60Hz	
CDX 15/200-G/D	U	301	191	152	90	125	13	4	28	77,5	77	130	128	150	-	-	-	-	-	NPT 1/2"
CDX 15/400-G/D	U	350	218	167	105	140	13	4	30	90	96	150	140	175	-	-	-	-	-	NPT 1/2"
CDX 15/550-G/D	U	392	218	167	105	140	13	4	30	90	117	150	140	175	-	-	-	-	-	NPT 1/2"
CDX 15/700-G/D	U	394	231	205	120	170	17	4	45	102	106	177	162	200	-	-	-	-	-	NPT 1/2"
CDX 15/1100-G/D	U	446	249	210	120	170	17	4	52	112	118	192	160	218	-	-	-	-	-	NPT 3/4"
CDX 15/1410-G/D	X	520	279	235	140	190	22	4	18	116	134	210	246	225	140	80	-	-	-	NPT 3/4"
CDX 15/1710-G/D	X	520	279	235	140	190	22	4	18	116	134	210	246	225	140	80	-	-	-	NPT 3/4"
CDX 15/2000-G/D	X	594(50Hz) 520(60Hz)	279	235	140	190	22	4	18	116	171(50Hz) 134(60Hz)	210	246	225	140	80	-	-	-	NPT 3/4"
CDX 15/2410-G/D	X	572	312	275	155	225	22	4	22	135	146	239	274	253	169	105	50	-	-	NPT 3/4"
CDX 15/3810-G/D	X	594	343	325	155	255	23,5	4	22	155	137	279	314	295	194	110	50	-	-	NPT 3/4"
CDX 15/5010-G/D	X	638	359	355	180	280	26	4	22	165	154	303	320	320	198	120	50	-	-	NPT 3/4"

Type	Fig.	A	B	C	D	E	Holes		F	H	I	L	M	N	P	Q	R	Capacitor (µF)		Cable entry
							ØG	N°										220V 50Hz	115V 60Hz	
CDX 15/200-G/D	U	301	191	152	90	125	13	4	28	77,5	77	130	128	150	-	-	-	5	25	NPT 1/2"
CDX 15/400-G/D	U	350	218	167	105	140	13	4	30	90	96	150	140	175	-	-	-	12 \circ +20 \bullet	35	NPT 1/2"
CDX 15/550-G/D	U	392	218	167	105	140	13	4	30	90	117	150	140	175	-	-	-	12 \circ +20 \bullet	35 \circ +10 \bullet	NPT 1/2"
CDX 15/700-G/D	U	394	231	205	120	170	17	4	45	102	106	177	162	200	-	-	-	16 \circ +80 \bullet	40 \circ +120 \bullet	NPT 1/2"

la/In = ratio between start-up current and maximum current. \circ Start-up capacitor / \bullet Running capacitor.
 Several sizes are available with different mounting bolt patterns. Please contact sales office at Italvibras.



6 poles - 1.000/1.200 rpm

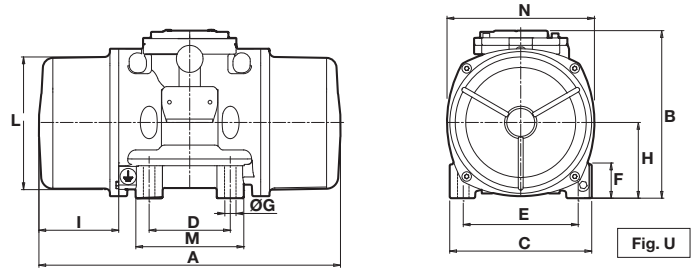
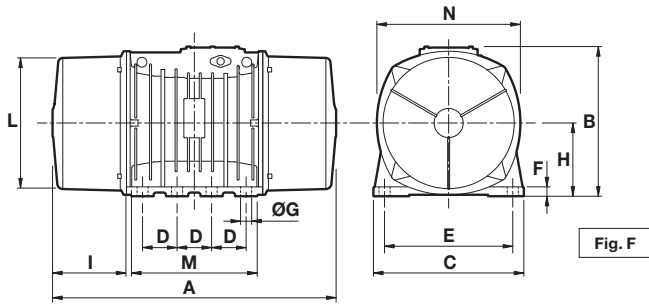
Three-phase

DESCRIPTION			Certifications	MECHANICAL SPECIFICATIONS								ELECTRICAL SPECIFICATIONS									
Code	Type	SIZE		Static moment* kgmm		Centrifugal force kg kN				Weight kg		Max input power W		Power rating W		Max. current A		Ia/In			
			● ○ ● ● ● ●	50Hz	60Hz	50Hz	60Hz	50Hz	60Hz	50Hz	60Hz	50Hz	60Hz	50Hz	60Hz	50Hz	60Hz	400V 50Hz	460V 60Hz	50Hz	60Hz
602315	CDX 10/40-G/D	10	●	30,0	30,0	33,5	48,3	0,33	0,47	11,5	11,5	120	135	50	90	0,30	0,30	1,90	2,07		
602316	CDX 10/100-G/D	10	●	84,2	84,2	94,0	136	0,93	1,33	14,0	14,0	120	135	50	90	0,30	0,30	1,90	2,07		
602317	CDX 10/200-G/D	20	●	163	163	183	264	1,80	2,59	21,4	21,4	185	205	100	120	0,50	0,50	2,72	3,10		
602318	CDX 10/310-G/D	30	●	286	209	321	338	3,15	3,32	30,3	29	350	380	220	270	0,72	0,68	2,63	2,79		
602320	CDX 10/550-G/D	35	● ● ● ●	457	457	512	737	5,02	7,23	47,5	47,5	300	310	220	230	0,57	0,61	3,89	3,77		
602325	CDX 10/810-G/D	50	● ● ● ●	723	561	809	905	7,94	8,88	68,5	63,2	570	680	370	442	1,24	1,30	4,00	3,69		
602274	CDX 10/1110-G/D	50	● ● ● ●	1012	715	1132	1151	11,1	11,3	76,8	69,8	700	870	483	548	1,52	1,65	4,15	4,24		
602277	CDX 10/1610-G/D	60	● ● ● ●	1464	962	1638	1549	16,1	15,2	109	98	1040	1250	738	913	2,09	2,10	4,93	5,24		
602280	CDX 10/2610-G/D	70	● ● ● ●	2326	1720	2601	2747	25,5	26,9	150	136	1725	1800	1470	1470	3,80	3,70	5,40	6,03		
602365	CDX 10/3810-G/D	80	● ● ● ●	3422	2380	3826	3831	37,5	37,6	205	187	2100	2300	1700	1850	4,75	4,75	4,19	4,67		
602201	CDX 10/22000-G	110	●	20025	12533	22386	20208	220	198	928	898	15600	19000	11800	14700	25,2	25,5	5,70	5,88		

8 poles - 750/900 rpm

DESCRIPTION			Certifications	MECHANICAL SPECIFICATIONS								ELECTRICAL SPECIFICATIONS									
Code	Type	SIZE		Static moment* kgmm		Centrifugal force kg kN				Weight kg		Max input power W		Power rating W		Max. current A		Ia/In			
			● ○ ● ● ● ●	50Hz	60Hz	50Hz	60Hz	50Hz	60Hz	50Hz	60Hz	50Hz	60Hz	50Hz	60Hz	400V 50Hz	460V 60Hz	50Hz	60Hz		
602576	CDX 075/150-G/D	20	●	163	163	104	149	1,02	1,46	21,4	21,4	230	250	110	120	0,85	0,76	2,13	2,11		
602577	CDX 075/250-G/D	30	●	286	286	181	260	1,76	2,55	30,3	30,3	350	380	190	210	1,10	1,05	2,03	2,29		
602578	CDX 075/400-G/D	35	● ● ● ●	457	457	288	415	2,83	4,07	47,5	47,5	300	300	150	150	0,57	0,58	2,47	2,50		
602581	CDX 075/660-G/D	50	● ● ● ●	723	723	456	656	4,47	6,44	68,5	68,5	340	340	184	184	0,87	0,90	2,87	3,11		
602552	CDX 075/910-G/D	50	● ● ● ●	1012	1012	637	917	6,25	9,00	74,8	74,8	420	500	231	260	1,00	1,10	2,91	2,91		
602555	CDX 075/1310-G/D	60	● ● ● ●	1464	1464	922	1327	9,04	13,00	109	109	750	850	480	560	1,52	1,90	3,68	3,05		
602558	CDX 075/2110-G/D	70	● ● ● ●	2326	2326	1463	2107	14,4	20,7	150	150	1480	1500	1036	1100	3,52	3,45	3,58	3,91		
602602	CDX 075/3110-G/D	80	● ● ● ●	3421	3421	2152	3099	21,1	30,4	205	205	1850	2100	1320	1400	4,85	5,00	4,21	4,70		
602513	CDX 075/22000-G	110	●	28633	24508	18005	22192	177	218	1015	981	10000	13000	8100	10300	21,4	22,0	6,97	5,50		

* Working moment = 2 x static moment.



DIMENSIONAL SPECIFICATIONS (mm)

Type	Fig.	A	B	C	D	E	Holes		F	H	I	L	M	N	P	Q	R	Cable entry
							ØG	N°										
CDX 10/40-G/D	U	255	191	152	90	125	13	4	28	77,5	54	130	128	150	-	-	-	NPT 1/2"
CDX 10/100-G/D	U	301	191	152	90	125	13	4	28	77,5	77	130	128	150	-	-	-	NPT 1/2"
CDX 10/200-G/D	U	350	218	167	105	140	13	4	30	90	96	150	140	175	-	-	-	NPT 1/2"
CDX 10/310-G/D	U	394	231	205	120	170	17	4	45	102	106	177	162	200	-	-	-	NPT 1/2"
CDX 10/550-G/D	U	446	249	210	120	170	17	4	52	112	118	192	160	218	-	-	-	NPT 3/4"
CDX 10/810-G/D	X	520	279	235	140	190	22	4	18	116	134	210	246	225	140	80	-	NPT 3/4"
CDX 10/1110-G/D	X	594(50Hz) 520(60Hz)	279	235	140	190	22	4	18	116	171(50Hz) 134(60Hz)	210	246	225	140	80	-	NPT 3/4"
CDX 10/1610-G/D	X	634(50Hz) 572(60Hz)	312	275	155	225	22	4	22	135	177(50Hz) 146(60Hz)	239	274	253	169	105	50	NPT 3/4"
CDX 10/2610-G/D	X	676	343	325	155	255	23,5	4	22	155	178	279	314	295	194	110	50	NPT 3/4"
CDX 10/3810-G/D	X	734	359	355	180	280	26	4	22	165	202	303	320	320	198	120	50	NPT 3/4"
CDX 10/22000-G	F	1150	614	610	140	520	45	8	38	297	297,5	542	510	582	-	-	-	NPT 1"

DIMENSIONAL SPECIFICATIONS (mm)

Type	Fig.	A	B	C	D	E	Holes		F	H	I	L	M	N	P	Q	R	Cable entry
							ØG	N°										
CDX 075/150-G/D	U	350	218	167	105	140	13	4	30	90	96	150	140	175	-	-	-	NPT 1/2"
CDX 075/250-G/D	U	394	231	205	120	170	17	4	45	102	106	177	162	200	-	-	-	NPT 1/2"
CDX 075/400-G/D	U	446	249	210	120	170	17	4	52	112	118	192	160	218	-	-	-	NPT 3/4"
CDX 075/660-G/D	X	520	279	235	140	190	22	4	18	116	134	210	246	225	140	80	-	NPT 3/4"
CDX 075/910-G/D	X	594	279	235	140	190	22	4	18	116	171	210	246	225	140	80	-	NPT 3/4"
CDX 075/1310-G/D	X	634	312	275	155	225	22	4	22	135	177	239	274	253	169	105	50	NPT 3/4"
CDX 075/2110-G/D	X	676	343	325	155	255	23,5	4	22	155	178	279	314	295	194	110	50	NPT 3/4"
CDX 075/3110-G/D	X	734	359	355	180	280	26	4	22	165	202	303	320	320	198	120	50	NPT 3/4"
CDX 075/22000-G	F	1150	614	610	140	520	45	8	38	297	297,5	542	510	582	-	-	-	NPT 1"

Ia/I_n = ratio between start-up current and maximum current.

Several sizes are available with different mounting bolt patterns. Please contact sales office at Italtvibras.

