

M3



2 poles - 3.000/3.600 rpm

Three-phase

DESCRIPTION				MECHANICAL SPECIFICATIONS								ELECTRICAL SPECIFICATIONS					
Code	Type	SIZE	 II2D Temp. class	Static moment* kgmm		Centrifugal force				Weight kg		Max input power W		Max. current A		Ia/In	
				50Hz	60Hz	50Hz	60Hz	50Hz	60Hz	50Hz	60Hz	50Hz	60Hz	400V 50Hz	460V 60Hz	50Hz	60Hz
600467	M3/65-S02	00	• 120°C	6,43	6,43	64,7	93,1	0,635	0,913	4,30	4,30	120	120	0,27	0,23	3,43	3,90
600465	M3/105-S02	00	• 120°C	9,64	9,64	97	140	0,95	1,37	5,20	5,20	180	180	0,35	0,30	2,68	3,00
600462	M3/205-S02	00	• 120°C	20,2	20,2	203	293	2,00	2,87	6,00	6,00	180	180	0,35	0,30	2,68	3,00
600461	M3/305-S02	00	• 120°C	29,8	20,2	300	293	2,94	2,87	6,30	6,00	180	180	0,35	0,30	2,68	3,00

Single-phase

Code	Type	SIZE	 II2D Temp. class	Static moment* kgmm		Centrifugal force				Weight kg		Max input power W		Max. current A		Ia/In	
				50Hz	60Hz	50Hz	60Hz	50Hz	60Hz	50Hz	60Hz	50Hz	60Hz	400V 50Hz	460V 60Hz	50Hz	60Hz
600467	M3/65-S02	00	• 120°C	6,43	6,43	64,7	93,1	0,635	0,913	4,30	4,30	110	110	0,56	1,52	2,24	2,24
600465	M3/105-S02	00	• 120°C	9,64	9,64	97	140	0,95	1,37	5,20	5,20	165	165	0,75	1,52	1,67	2,24
600462	M3/205-S02	00	• 120°C	20,2	20,2	203	293	2,00	2,87	6,00	6,00	165	165	0,75	1,52	1,67	2,24
600461	M3/305-S02	00	• 120°C	29,8	20,2	300	293	2,94	2,87	6,30	6,00	165	165	0,75	1,52	1,67	2,24

4 poles - 1.500/1.800 rpm

Three-phase

DESCRIPTION				MECHANICAL SPECIFICATIONS								ELECTRICAL SPECIFICATIONS					
Code	Type	SIZE	 II2D Temp. class	Static moment* kgmm		Centrifugal force				Weight kg		Max input power W		Max. current A		Ia/In	
				50Hz	60Hz	50Hz	60Hz	50Hz	60Hz	50Hz	60Hz	50Hz	60Hz	400V 50Hz	460V 60Hz	50Hz	60Hz
601514	M15/36-S02	00	• 120°C	12,1	12,1	30,5	43,8	0,30	0,43	5,40	5,40	85	95	0,21	0,20	1,78	1,95
601515	M15/81-S02	00	• 120°C	29,8	20,2	75,0	73,0	0,74	0,72	6,30	6,0	85	95	0,21	0,20	1,78	1,95

Single-phase

Code	Type	SIZE	 II2D Temp. class	Static moment* kgmm		Centrifugal force				Weight kg		Max input power W		Max. current A		Ia/In	
				50Hz	60Hz	50Hz	60Hz	50Hz	60Hz	50Hz	60Hz	50Hz	60Hz	400V 50Hz	460V 60Hz	50Hz	60Hz
601514	M15/36-S02	00	• 120°C	12,1	12,1	30,5	43,8	0,30	0,43	5,40	5,40	90	100	0,43	1,00	1,20	1,30
601515	M15/81-S02	00	• 120°C	29,8	20,2	75,0	73,0	0,74	0,72	6,30	6,0	90	100	0,43	1,00	1,20	1,30

* Working moment = 2 x static moment. Ia/In = rapporto fra corrente di avviamento e corrente max.

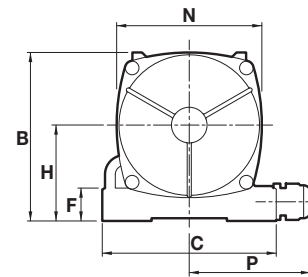
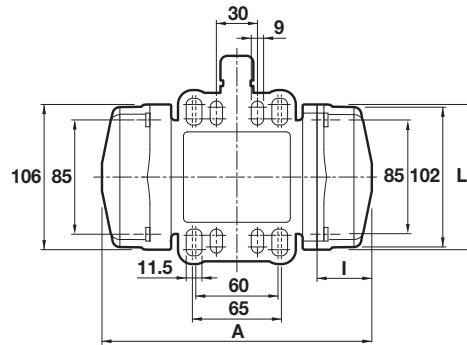


Fig. M1

DIMENSIONAL SPECIFICATIONS (mm)

Type	Fig.	A	B	C	Multi-hole		Holes		F	H	I	ØL	M	N	P	Capacitor (µF)		Cable entry thread
					D	E	ØG	N°								220V 50Hz	115V 60Hz	
M3/65-S02	M1	197			See drawing	9	4	24	70	40	106	86	106	88,5	-	-	M20x1,5	
M3/105-S02	M1	211	123	127														47
M3/205-S02	M1	235																59
M3/305-S02	M1	235																59

Type	Fig.	A	B	C	Multi-hole		Holes		F	H	I	ØL	M	N	P	Capacitor (µF)		Cable entry thread
					D	E	ØG	N°								220V 50Hz	115V 60Hz	
M3/65-S02	M1	197			See drawing	9	4	24	70	40	106	86	106	88,5	10	28	M20x1,5	
M3/105-S02	M1	211	123	127														47
M3/205-S02	M1	235																59
M3/305-S02	M1	235																59

DIMENSIONAL SPECIFICATIONS (mm)

Type	Fig.	A	B	C	Multi-hole		Holes		F	H	I	ØL	M	N	P	Capacitor (µF)		Cable entry thread
					D	E	ØG	N°								220V 50Hz	115V 60Hz	
M15/36-S02	M1	214	123	127	See drawing	9	4	24	70	59	106	86	106	88,5	-	-	M20X1,5	
M15/81-S02	M1	235																

Type	Fig.	A	B	C	Multi-hole		Holes		F	H	I	ØL	M	N	P	Capacitor (µF)		Cable entry thread
					D	E	ØG	N°								220V 50Hz	115V 60Hz	
M15/36-S02	M1	214	123	127	See drawing	9	4	24	70	59	106	86	106	88,5	3,15	25	M20X1,5	
M15/81-S02	M1	235																