

MVT / MVTX



4 poles - 1.500/1.800 rpm

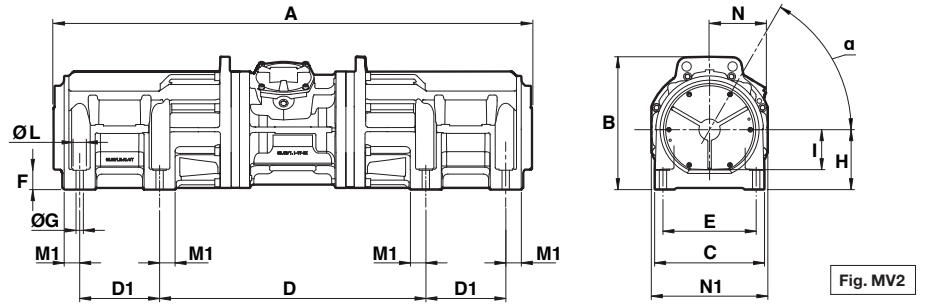
Three-phase

DESCRIPTION			MECHANICAL SPECIFICATIONS								ELECTRICAL SPECIFICATIONS					
Code	Type	SIZE	Static moment* kgmm		Centrifugal force kg				Weight kg		Power rating W		Max. current A		Ia/In	
			50Hz	60Hz	50Hz	60Hz	50Hz	60Hz	50Hz	60Hz	50Hz	60Hz	400V 50Hz	460V 60Hz	50Hz	60Hz
601535	MVT 15/3500-S08	70	1369	951	3450	3500	33,8	34,3	169	158	2200	2500	3,90	3,90	7,11	6,92
601646	MVT 15/4400-S08	70	1750	1215	4400	4400	43,2	43,2	178	166	2200	2500	3,90	3,90	7,11	6,92
601537	MVT 15/5000-S08	80	1990	1387	5007	5023	49,1	49,3	235	220	3600	3400	6,00	5,00	7,02	8,00
601648	MVT 15/7900-S08	90	3147	2191	7930	7930	77,8	77,8	285	270	-	-	-	-	-	-

Three-phase

DESCRIPTION			Certifications UL US Ex IECEx EAC	MECHANICAL SPECIFICATIONS								ELECTRICAL SPECIFICATIONS										
Codice	Type	SIZE		Static moment* kgmm		Centrifugal force kg				Weight kg		Max input power W		Power rating W		Max. current A		Ia/In				
			50Hz	60Hz	50Hz	60Hz	50Hz	60Hz	50Hz	60Hz	50Hz	60Hz	50Hz	60Hz	400V 50Hz	460V 60Hz	50Hz	60Hz				
601573	MVTX 15/3500-G/D	70	•	•	•	•	1369	951	3450	3500	33,8	34,3	169	158	2270	2250	1840	1870	4,00	3,50	6,50	8,10
601649	MVTX 15/4400-G/D	70	•	•	•	•	1750	1215	4400	4400	43,2	43,2	178	166	2270	2250	1840	1870	4,00	3,50	6,50	8,10
601574	MVTX 15/5000-G/D	80	•	•	•	•	1990	1387	5007	5023	49,1	49,3	235	220	3140	3130	2600	2600	5,40	4,85	7,80	9,90
601575	MVTX 15/7900-G/D	90	•	•	•	•	3147	2191	7930	7930	77,8	77,8	285	270	3650	4000	3212	3520	6,50	6,20	7,70	8,90

* Working moment = 2 x static moment.



DIMENSIONAL SPECIFICATIONS (mm)

Type	Fig.	A	B	C	Holes					F	H	I	ØL	M	M1	N	N1	α	Cable entry
					D	D1	E	ØG	N°										
MVT 15/3500-S08	MV	1130	325	284	959	-	228,5	27	4	57	135	120	43	44	38	184	-	45°	NPT 3/4"
MVT 15/3500-S08	MV	1130	325	284	959	-	228,5	27	4	57	135	120	43	44	38	184	-	45°	NPT 3/4"
MVT 15/5000-S08	MV2	1481	367	284	1120	102	235	22	8	58	160	120	40	-	46,5	194	307	45°	NPT 3/4"
MVT 15/7900-S08	MV2	1437	399	330	800	240	280	22	8	58	180	120	40	-	46,5	171	350	60°	NPT 3/4"

DIMENSIONAL SPECIFICATIONS (mm)

Type	Fig.	A	B	C	Holes					F	H	I	ØL	M	M1	N	N1	α	Cable entry
					D	D1	E	ØG	N°										
MVTX 15/3500-G/D	MV	1130	325	284	959	-	228,5	27	4	57	135	120	43	44	38	184	-	45°	NPT 3/4"
MVTX 15/4400-G/D	MV	1130	325	284	959	-	228,5	27	4	57	135	120	43	44	38	184	-	45°	NPT 3/4"
MVTX 15/5000-G/D	MV2	1481	367	284	1120	102	235	22	8	58	160	120	40	-	46,5	194	307	45°	NPT 3/4"
MVTX 15/7900-G/D	MV2	1437	399	330	800	240	280	22	8	58	180	120	40	-	46,5	171	350	60°	NPT 3/4"

Ia/In = ratio between start-up current and maximum current.

Several sizes are available with different mounting bolt patterns. Please contact sales office at Italvibras.